

HIGH-END BASEBOARD

ABA SERIES

THE DOLCE VITA WITH BELLA

The high-end BELLA™ baseboard is undoubtedly the most beautiful offered on the market. Its breathtaking design and sturdy facade made of an aluminum extrusion make it the ideal choice for residential and commercial locations. The BELLA™ is available in a choice of two densities: 150 W or 250 W per linear foot.

bella™



**EXTRUDED ALUMINUM FRONT COVER
WITH STRIKING END CAPS**

EXTREMELY SOLID, IMPACT AND RUST RESISTANT

**IDEAL FOR ANY ROOM IN YOUR HOME
AND MANY COMMERCIAL APPLICATIONS**

IDEAL FOR:

KITCHENS, LIVING ROOMS, BEDROOMS,
BASEMENTS, BUSINESSES, OFFICES

COLORS

- standard: white, soft white
- ORORA (optional): denim blue, midnight blue, turquoise, moss green, canary yellow, red, orange, anodized aluminum paint, gravel gray, charcoal, espresso, almond, black (refer to www.stelpro.com/en-US/orora)

FINISH

epoxy-polyester powdercoat

MANUFACTURING

- 22-gauge steel cabinet
- extruded aluminum front cover with a thickness equivalent to 11 gauge with molded and curved end-caps
- discrete air inlet: air enters through the front of the unit and exits from the top
- thermal protection with automatic reset
- full-length wireway

ELEMENT

single tubular, stainless steel sheathed element with boxed aluminum fins for improved heat dissipation; the element is securely fastened at its center, floating in nylon sleeves at each end, eliminating expansion and contraction noises

CONTROL

- wall thermostat (not included) – the use of an electronic thermostat is strongly recommended
- built-in mechanical single pole or double pole thermostat, installed in the left or right junction box (optional)
- low voltage relay kit installed in the left or right junction box (optional)
- disconnect switch (optional)

INSTALLATION

- floor mounted
- wiring compartment at both ends of unit



The 250 W density can only be installed in commercial locations. The 150 W density can be installed in residential and commercial locations.

ACCESSORIES

PRODUCT	DESCRIPTION
BA1T1W*	built-in single pole thermostat [120 V-600 V]
BA2T1W*	built-in double pole thermostat [120 V-600 V]
BARE153*	built-in electronic low voltage relay [15 A @ 120-347 V]
BARE156*	built-in electronic low voltage relay [6 A @ 600 V]
BARM240T*	electro. mecha. relay c/w transformer 24 V [6000 W @ 240 V and 5200 W @ 208 V]
BARM347T*	electro. mecha. relay c/w transformer 24 V [6000 W @ 347 V]
BARM347C*	electro. mecha. relay w/o transformer 24 V [6000 W @ 120-347 V]
BAR841D1036*	built-in mechanical low voltage relay with transformer 24 V [6000 W @ 600 V]
BADIS*	disconnect switch [120-480 V]
BADIS6*	disconnect switch [600 V]

Electronic relays can receive a PWM (pulsed width modulation) or digital (on/off) signal.

* Factory installed

* Factory installation is strongly recommended

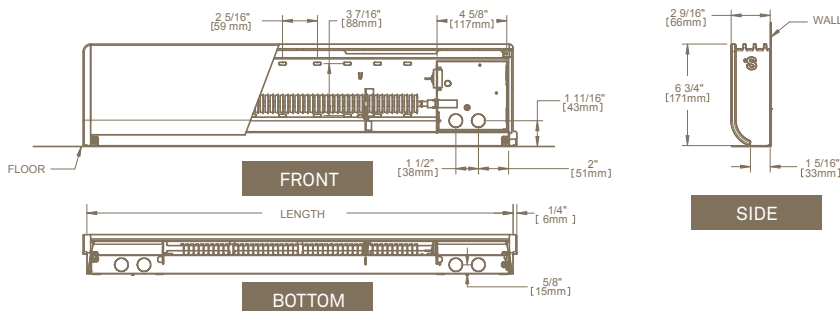


TECHNICAL SPECIFICATIONS

STANDARD DENSITY 250 W PER LINEAR FOOT			LOW DENSITY 150 W PER LINEAR FOOT			VOLTAGE	TOTAL LENGTH*	WEIGHT
FOR COMMERCIAL USE ONLY			FOR RESIDENTIAL AND COMMERCIAL USE					
CODE	WATTS	BTU/H	CODE	WATTS	BTU/H	VOLTS	IN.	LB
ABA0301W	300	1024	---	---	---	120	20 13/16	5.1
ABA0308W	300	1024	---	---	---	208	20 13/16	5.1
ABA0302W	300/225	1024	---	---	---	240/208	20 13/16	5.1
ABA0501W	500	1706	ABAL0301W	300	1024	120	28 13/16	6.5
ABA0508W	500	1706	ABAL0308W	300	1024	208	28 13/16	6.5
ABA0502W	500/375	1706	ABAL0302W	300/225	1024	240/208	28 13/16	6.5
ABA0507W	500	1706	---	300	1024	277	28 13/16	6.5
ABA0751W	750	2560	ABAL0451W	450	1536	120	38 1/2	8.0
ABA0758W	750	2560	ABAL0458W	450	1536	208	38 1/2	8.0
ABA0752W	750/560	2560	ABAL0452W	450/340	1536	240/208	38 1/2	8.0
ABA0757W	750	2560	ABAL0457W	450	1536	277	38 1/2	8.0
ABA0755W	750	2560	---	450	1536	480	38 1/2	8.0
ABA1001W	1000	3413	ABAL0601W	600	2048	120	48 3/8	9.7
ABA1008W	1000	3413	ABAL0608W	600	2048	208	48 3/8	9.7
ABA1002W	1000/750	3413	ABAL0602W	600/450	2048	240/208	48 3/8	9.7
ABA1007W	1000	3413	ABAL0607W	600	2048	277	48 3/8	9.7
ABA1005W	1000	3413	---	600	2048	480	48 3/8	9.7
ABA1251W	1250	4266	ABAL0751W	750	2560	120	58 3/16	11.4
ABA1258W	1250	4266	ABAL0758W	750	2560	208	58 3/16	11.4
ABA1252W	1250/940	4266	ABAL0752W	750/560	2560	240/208	58 3/16	11.4
ABA1257W	1250	4266	ABAL0757W	750	2560	277	58 3/16	11.4
ABA1255W	1250	4266	ABAL0755W	750	2560	480	58 3/16	11.4
ABA1501W	1500	5119	ABAL0901W	900	3071	120	67 3/16	13.2
ABA1508W	1500	5119	ABAL0908W	900	3071	208	67 3/16	13.2
ABA1502W	1500/1125	5119	ABAL0902W	900/675	3071	240/208	67 3/16	13.2
ABA1507W	1500	5119	ABAL0907W	900	3071	277	67 3/16	13.2
ABA1505W	1500	5119	ABAL0905W	900	3071	480	67 3/16	13.2
---	1750	5972	ABAL1051W	1050	3583	120	76 7/8	15.0
ABA1758W	1750	5972	ABAL1058W	1050	3583	208	76 7/8	15.0
ABA1752W	1750/1310	5972	ABAL1052W	1050/790	3583	240/208	76 7/8	15.0
ABA1757W	1750	5972	ABAL1057W	1050	3583	277	76 7/8	15.0
ABA1755W	1750	5972	ABAL1055W	1050	3583	480	76 7/8	15.0
---	2000	6825	ABAL1201W	1200	4095	120	84 13/16	16.9
ABA2008W	2000	6825	ABAL1208W	1200	4095	208	84 13/16	16.9
ABA2002W	2000/1500	6825	ABAL1202W	1200/900	4095	240/208	84 13/16	16.9
ABA2007W	2000	6825	ABAL1207W	1200	4095	277	84 13/16	16.9
ABA2005W	2000	6825	ABAL1205W	1200	4095	480	84 13/16	16.9
ABA2258W	2250	7679	ABAL1358W	1350	4607	208	94 11/16	18.8
ABA2252W	2250/1690	7679	ABAL1352W	1350/1010	4607	240/208	94 11/16	18.8
ABA2257W	2250	7679	ABAL1357W	1350	4607	277	94 11/16	18.8
ABA2255W	2250	7679	ABAL1355W	1350	4607	480	94 11/16	18.8
ABA2508W	2500	8532	ABAL1508W	1500	5119	208	103 1/2	20.7
ABA2502W	2500/1875	8532	ABAL1502W	1500/1125	5119	240/208	103 1/2	20.7
ABA2507W	2500	8532	ABAL1507W	1500	5119	277	103 1/2	20.7
ABA2505W	2500	8532	ABAL1505W	1500	5119	480	103 1/2	20.7

* For wall length, subtract 1/2 in. from the total length
 --- not available

TECHNICAL DRAWINGS



*STELPRO reserves the right to modify descriptions or manufacturing specifications without prior notice. Returns are not accepted for orders of products with optional colors. For all the latest models and prices, please refer to our website at www.stelpro.com.