

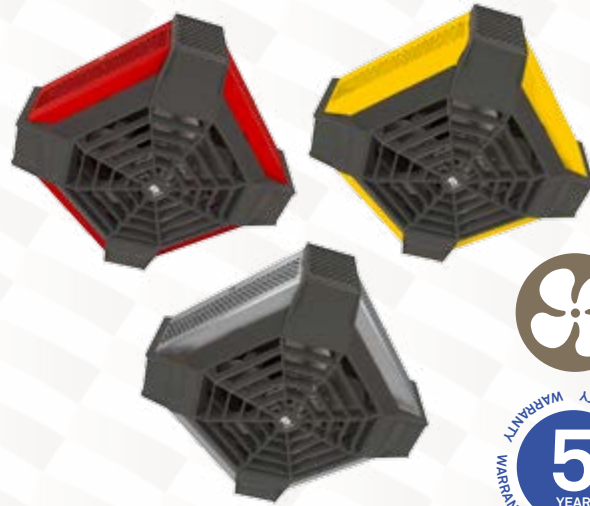
CEILING FAN HEATER

ASGH SERIES

GET CAUGHT UP IN ITS COMFORT!

This stylish ceiling fan heater will be the highlight of your garage! The SPIDER™ ceiling fan heater combines optimum performance, instant heat and a low noise level, all this in a distinctive design with a choice of striking colors.

SPIDER™



NEW DESIGN: INCREASED AIR FLOW

A REINVENTION OF GARAGE HEATING
INNOVATIVE AND UNIQUE DESIGN

DESIGNED SPECIFICALLY FOR RESIDENTIAL
GARAGES

CEILING INSTALLATION
FREEING UP FLOOR AND WALL SPACE

CHOICE OF STRIKING COLORS

IDEAL FOR:

GARAGES, WORKSHOPS

COLORS

- standard: red, canary yellow
- luxurious finish: stainless steel (surcharge)

FINISH

polyester powdercoat or stainless steel

MANUFACTURING

- 22-gauge smooth steel housing
- quiet helicoidal fan
- thermal protection with automatic reset
- closed and permanently lubricated motor

ELEMENT

nichrome element producing instant heat

CONTROL

wall thermostat (not included) – the use of an electronic thermostat is strongly recommended

INSTALLATION

- ceiling surface mounted with bracket
- from adjacent walls at a minimum of: 12 in.
- from floor at a minimum of 8 ft. and a maximum of 10 ft.

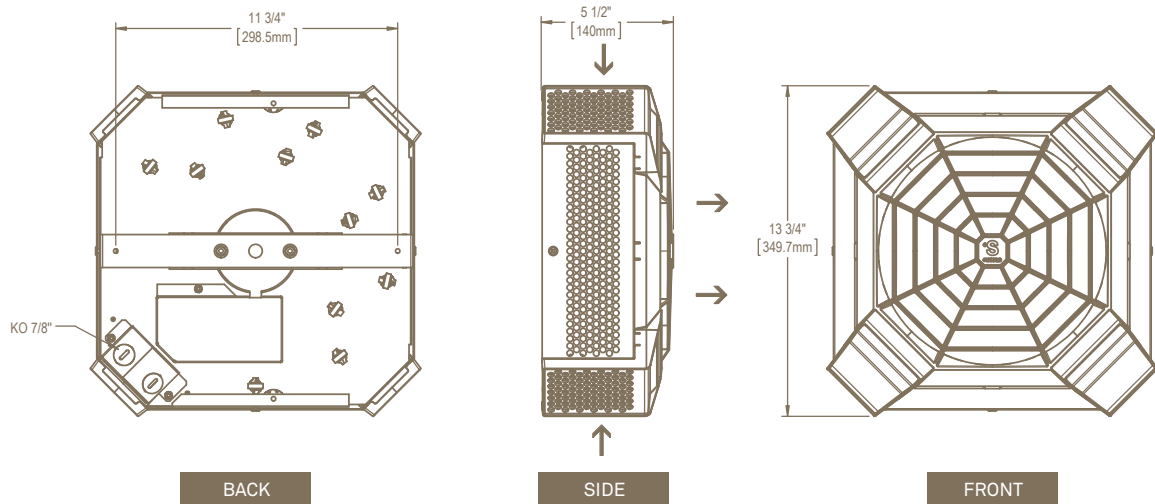




TECHNICAL SPECIFICATIONS

PRODUCT		POWER		VOLTAGE	COLOR	HEAT RISE	WEIGHT
CODE	WATTS	BTU/H	VOLTS			°F	LB
ASGH4002R	4000/3000	13651	240/208		RED	83	10
ASGH4002Y	4000/3000	13651	240/208		CANARY YELLOW	83	10
ASGH4002SS	4000/3000	13651	240/208		STAINLESS STEEL	83	10

TECHNICAL DRAWINGS



*STELPRO reserves the right to modify descriptions or manufacturing specifications without prior notice. Returns are not accepted for orders of products with optional colors. For all the latest models and prices, please refer to our website at www.stelpro.com.