

INFRARED RADIANT HEATER

ASIRH SERIES

ZENITH™

RADIANT HEAT, WHEN AND WHERE YOU WANT IT

Warm up your summer nights and autumn days with our ZENITH™ infrared radiant heater. It's perfect for terraces, outdoor waiting areas, arenas, and spas. It can even be used in hard-to-heat areas such as factories. With its 14-gauge aluminum cabinet and stainless steel grille, the ZENITH™ is lightweight yet rugged. Now, you can create your own comfortable environment, any time of the year.



GENERATES INSTANT HEAT

COMPACT, LIGHTWEIGHT, STURDY AND EASY TO INSTALL

CLEAN ELECTRICAL ENERGY WITH NO AIR DISPLACEMENT

WEATHER-RESISTANT MODELS AVAILABLE

347 V MODEL AVAILABLE

IDEAL FOR:

TERRACES, WAREHOUSES, FACTORIES, OUTDOOR WAITING AREAS, SPAS

COLOR

black

FINISH

super resistant polyester powdercoat

MANUFACTURING

- 14-gauge aluminum housing
- stainless steel grille
- specialized embossed aluminum reflectors which optimize radiant efficiency and reduce glare
- standard mounting bracket (included)

LAMP

- quartz lamp with glare-reducing filter, and tungsten filament produces short-wave infrared heat
- 80% radiant efficiency

CONTROL

electronic dimmer with timer (optional) (SIRHC402-1 or independent switch*)

INSTALLATION

on wall or ceiling with mounting bracket (included) or pole mounted (adaptor not provided), in accordance with clearances and installation heights as specified in the installation manual

ACCESSORIES

PRODUCT	DESCRIPTION
KIT-ESIRH151	infrared replacement element 1500 W @ 120 V
KIT-ESIRH202	infrared replacement element 2000 W/1600 W @ 240 V/208 V
KIT-SIRH-SUP1	expandable support from 20 in. to 34 in.
SIRHC402-1	electronic dimmer with timer (silver), 4000 W/3300 W/2000 W @ 240V/208 V/120 V max

FOR MAXIMUM EFFICIENCY

ELECTRONIC DIMMER WITH TIMER (OPTIONAL)

SIRHC402-1

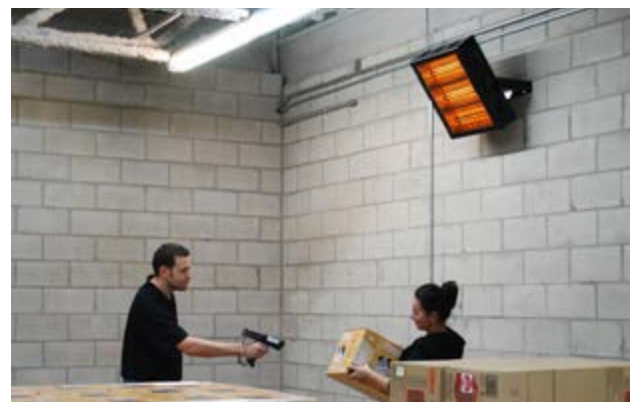
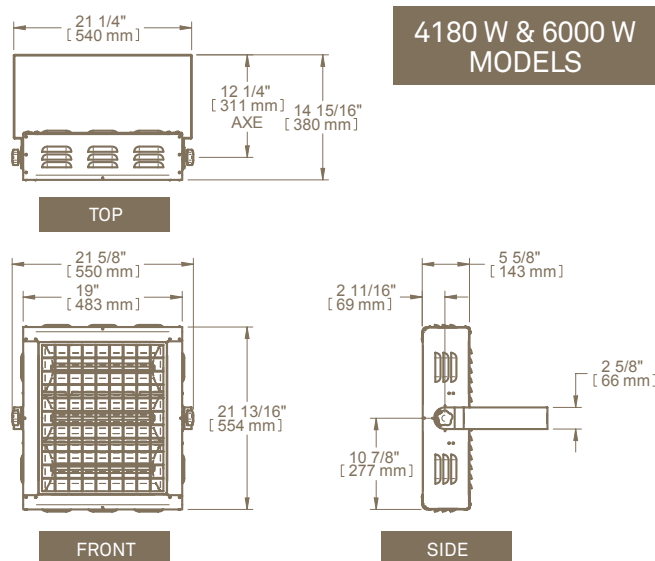
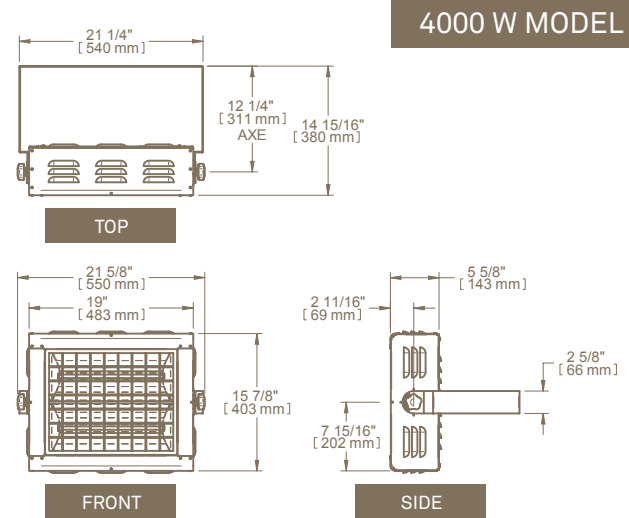
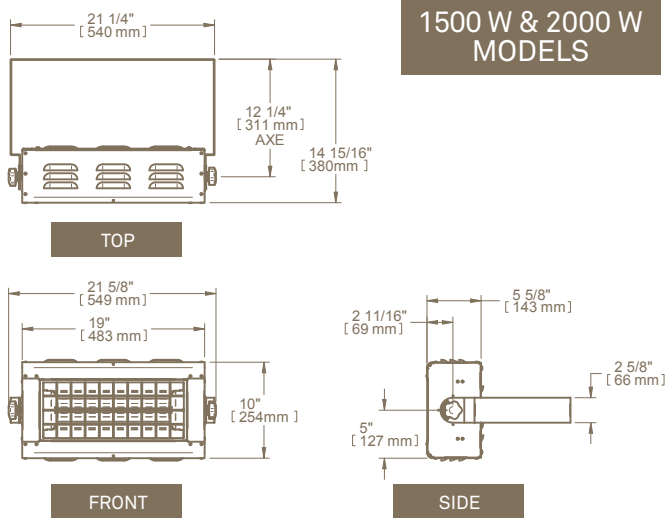


* The power feeding the units can be reduced using controls that meet the following requirements: the controls must be able to handle inductive and resistant loads. They must also have circuits to regulate the start-up current, since this type of appliance generates a high start-up current.

TECHNICAL SPECIFICATIONS

PRODUCT	WEATHER-RESISTANT	POWER		VOLTAGE	FREQUENCY	LENGTH	HEIGHT	DEPTH	WEIGHT
CODE	CODE	WATTS	BTU/H	VOLTS	HZ	IN.	IN.	IN.	LB
ASIRH1501W	ASIRH1501WR	1500	5120	120	60	19	10	5 5/8	11
ASIRH2002W	ASIRH2002WR	2000/1600	6825	240/208	60	19	10	5 5/8	11
ASIRH4002W	ASIRH4002WR	4000/3200	13651	240/208	60	19	15 7/8	5 5/8	13.8
ASIRH6002W	ASIRH6002WR	6000/4800	20476	240/208	60	19	21 13/16	5 5/8	16.3

TECHNICAL DRAWINGS



*STELPRO reserves the right to modify descriptions or manufacturing specifications without prior notice. Returns are not accepted for orders of products with optional colors. For all the latest models and prices, please refer to our website at www.stelpro.com.